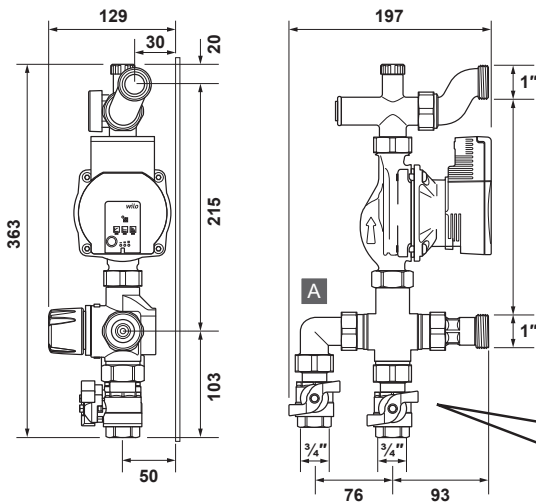
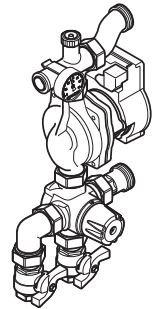


Uponor

Uponor Fluvia T Pumpgroup MPG 15 KW



$Q_{max} = 15 \text{ kW}$



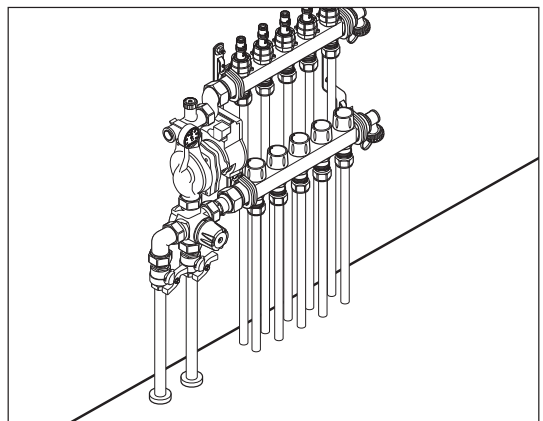
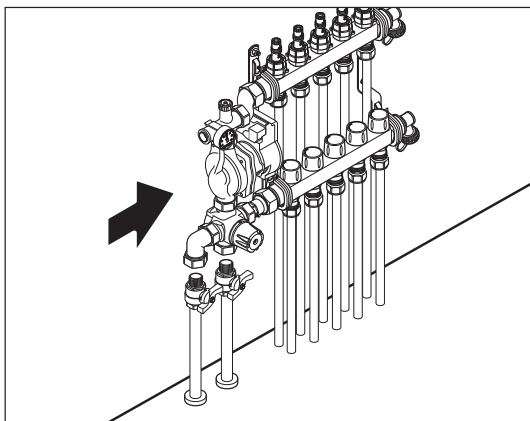
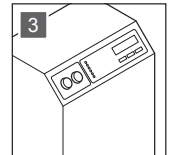
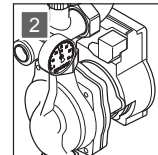
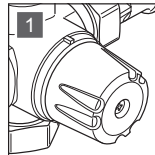
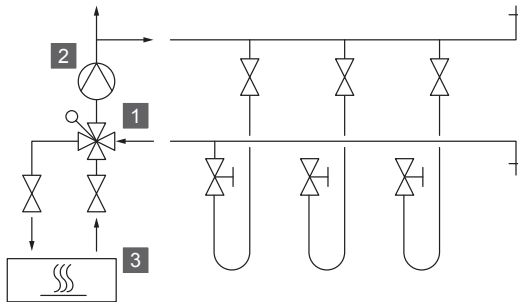
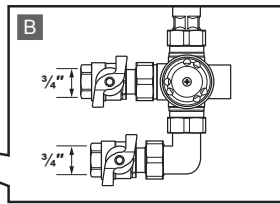
$\theta_{sec} = 15 - 55 \text{ }^\circ\text{C}$

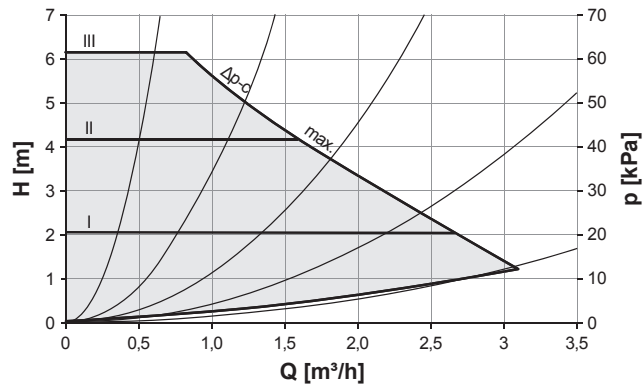
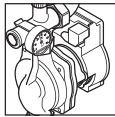
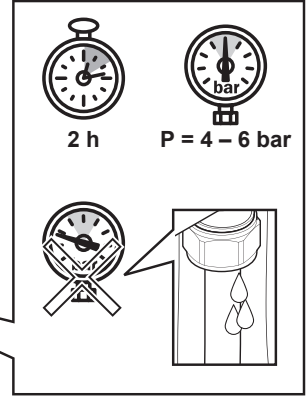
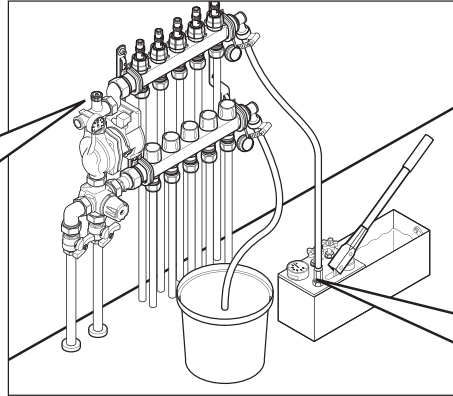
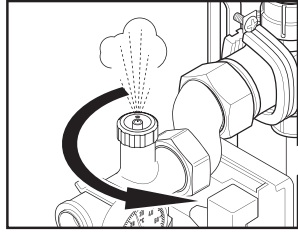


$KV_{sec} = 3,2 \text{ m}^3/\text{h}$

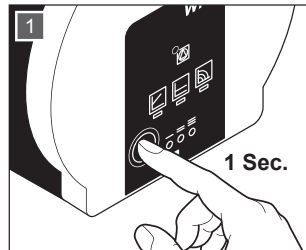


$P_{max} = 10 \text{ bar}$

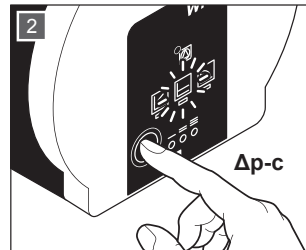




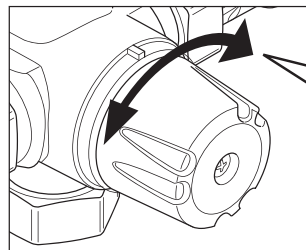
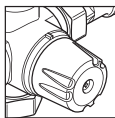
$\Delta p-c$



1 Sec.



$\Delta p-c$



	θ_i
Min.	27 °C
1	32 °C
2	38 °C
3	44 °C
4	50 °C
5	57 °C
Max.	63 °C

Uponor GmbH
 Industriestraße 56,
 D-97437 Hassfurt, Germany

1095147_03_2019_INT
 Production: Uponor / FM

Uponor reserves the right to make changes, without prior notification, to the specification of incorporated components in line with its policy of continuous improvement and development.



www.uponor.com