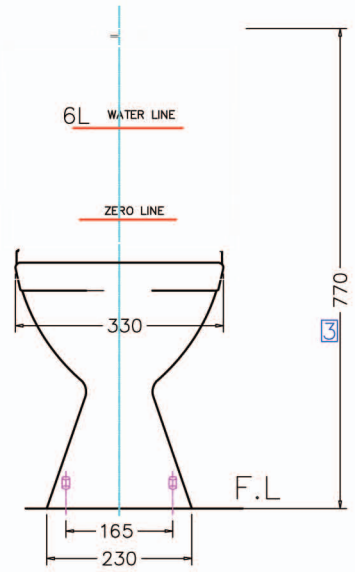
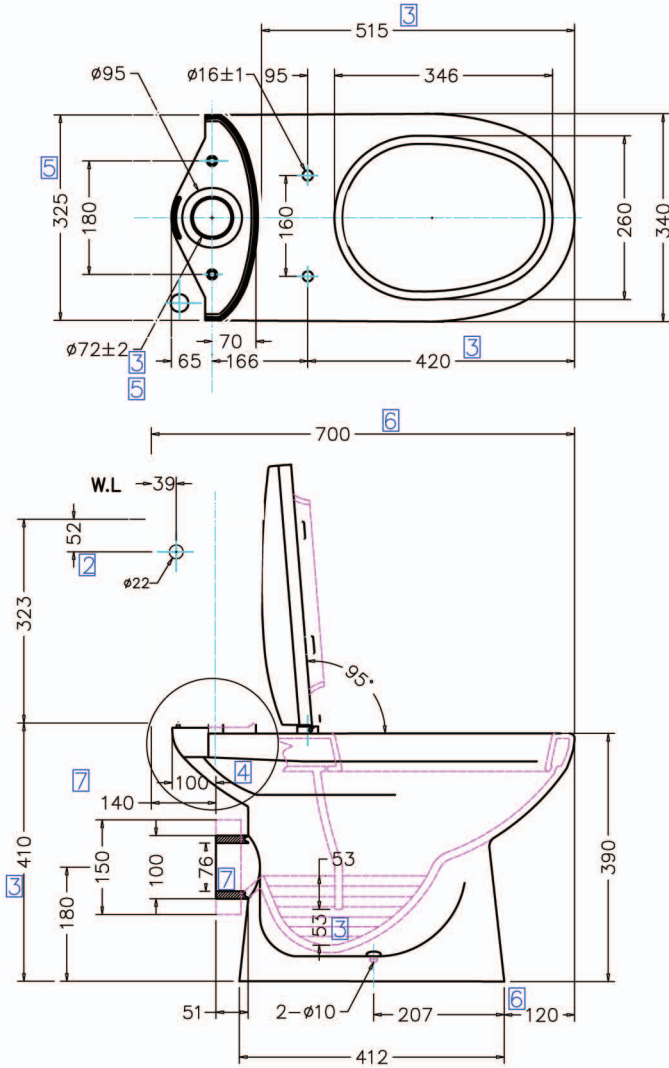
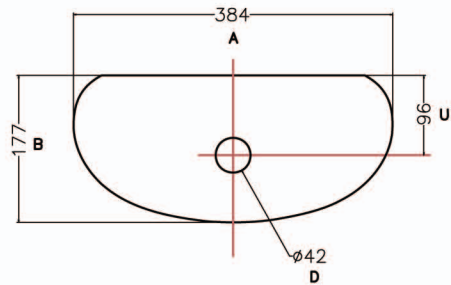


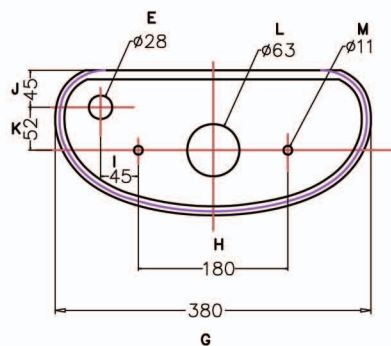
NOTES:

1. UNSPECIFIED TOLERANCES ON DIMENSIONS:
 - UNDER 200mm $\pm 5\%$
 - 200mm OVER $\pm 3\%$
 - RADII $\pm 10\%$
2. TYPICAL WALL THICKNESS: MIN 6mm
3. MEETS ASME A112.19.2-2003.
4. ALL DIMENSIONS ARE AFTER FIRE PRODUCT DIMENSIONS.

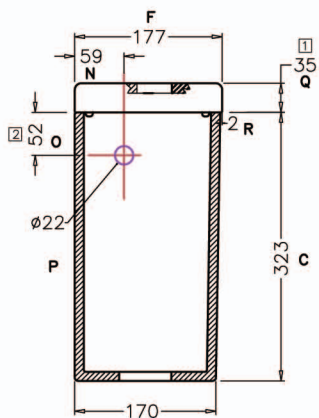




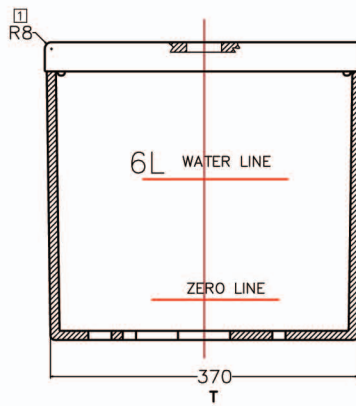
TOP COVER



TOP



LEFT



FRONT